

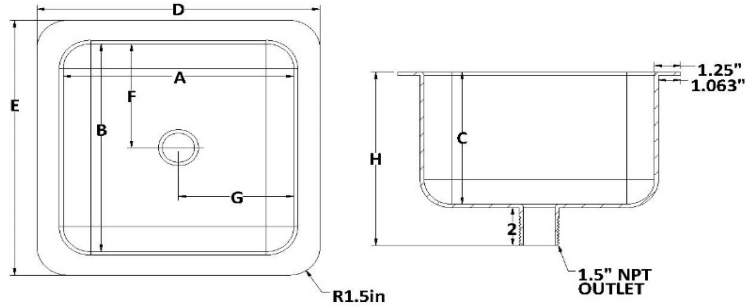


# Scientific Plastics Company, Inc

1016 SW BLVD KANSAS CITY, KS 66103

WWW.SCIENTIFICPLASTICS.COM 913-432-0322

## CENTER DRAIN SINKS



Center Drain Sinks allow for uniform drainage from all locations on the sink. All sinks are one piece rotationally molded HDPE and include an integral 1.5" tailpiece for easy plumbing connectios. NSF corner radius sink feature 1.5" corner radius. Straight wall sinks feature 90 degree side walls with covered interior corners for easy clean up. Standard color is black, other colors available upon request.

**MOBILE USER CLICK "VIEW IN BROWSER" ON FUSION MAIN PAGE TO ACCESS DRAWINGS.**

| LINK TO SPEC SHEET                   | INTERIOR DIM |       | DEPTH | FLANGE DIM |       | DRAIN LOCATION |        | HEIGHT |
|--------------------------------------|--------------|-------|-------|------------|-------|----------------|--------|--------|
| PART NUMBER                          | A            | B     | C     | D          | E     | F              | G      | H      |
| <b>NSF 1.5" CORNER RADIUS SINKS</b>  |              |       |       |            |       |                |        |        |
| <a href="#">W31415-000</a>           | 11.00        | 11    | 7     | 13.5       | 13.5  | 5.5            | 9.75   | 9.75   |
| <a href="#">W31440-000</a>           | 15.5         | 5.5   | 6     | 18         | 8     | 2.75           | 7.5    | 8.5    |
| <a href="#">W31466-000</a>           | 18           | 15    | 12    | 20.5       | 17.5  | 7.5            | 9      | 15     |
| <a href="#">W31473-000</a>           | 21           | 18    | 12    | 23.5       | 20.5  | 9              | 10.5   | 15     |
| <a href="#">W31477-000</a>           | 23           | 17    | 8     | 25.5       | 19.5  | 9              | 10.5   | 11     |
| <a href="#">W31478-000</a>           | 23           | 17    | 11.5  | 25.5       | 19.5  | 8.75           | 11.5   | 11     |
| <a href="#">W31481-000</a>           | 24           | 10    | 10    | 26.5       | 22.5  | 10             | 12     | 13     |
| <a href="#">W31483-000</a>           | 24           | 20    | 12    | 26.5       | 22.5  | 10             | 12     | 15     |
| <b>STRAIGHT WALL SINKS</b>           |              |       |       |            |       |                |        |        |
| <a href="#">WS181410.5-000</a>       | 18           | 14    | 10.5  | 20.65      | 16.65 | 10.325         | 8.325  | 12.95  |
| <a href="#">WS19.2516.258.25-000</a> | 19.25        | 16.25 | 8.25  | 21.9       | 18.9  | 10.95          | 9.45   | 10.7   |
| <a href="#">WS211610-000</a>         | 21           | 16    | 10    | 23.65      | 18.65 | 11.825         | 9.325  | 12.45  |
| <a href="#">WS241517-000</a>         | 24           | 15    | 17    | 26.65      | 17.65 | 13.325         | 8.825  | 19.45  |
| <a href="#">WS241811-000</a>         | 24           | 18    | 11    | 26.65      | 20.65 | 13.325         | 10.325 | 13.45  |
| <a href="#">W31484-000</a>           | 24           | 24    | 24    | 26.71      | 26.71 | 12.25          | 12.25  | 26.5   |
| <a href="#">WS261808-000</a>         | 25.5         | 17.56 | 8     | 28.15      | 20.21 | 14.075         | 10.105 | 10.45  |
| <a href="#">WS30.520.55-000</a>      | 30.5         | 20.5  | 5     | 33.15      | 23.15 | 16.575         | 11.575 | 7.45   |
| <a href="#">WS30.520.510-000</a>     | 30.5         | 20.5  | 10    | 33.15      | 23.15 | 16.575         | 11.575 | 12.45  |
| <a href="#">WS3120.511.5-000</a>     | 31           | 20.5  | 11.5  | 33.65      | 23.15 | 16.825         | 11.575 | 13.95  |
| <a href="#">WS31.521.59.5-000</a>    | 31.5         | 21.5  | 9.5   | 34.15      | 24.15 | 17.075         | 12.075 | 11.95  |
| <a href="#">WS31.521.510.75-000</a>  | 31.5         | 21.5  | 10.75 | 34.15      | 24.15 | 17.075         | 12.075 | 13.2   |
| <a href="#">WS320911-000</a>         | 32           | 9     | 11    | 34.65      | 11.65 | 17.325         | 5.825  | 13.45  |
| <a href="#">WS32.51010-000</a>       | 32.5         | 10    | 10    | 35.15      | 12.65 | 17.575         | 6.325  | 12.45  |
| <a href="#">WS360506-000</a>         | 36           | 5     | 6     | 38.9       | 7.9   | 19.45          | 3.95   | 8.45   |
| <a href="#">WS361611-000</a>         | 36           | 16    | 11    | 38.65      | 18.65 | 19.325         | 9.325  | 13.45  |
| <a href="#">WS421816-000</a>         | 42           | 18    | 16    | 44.65      | 20.65 | 22.325         | 10.325 | 18.45  |