

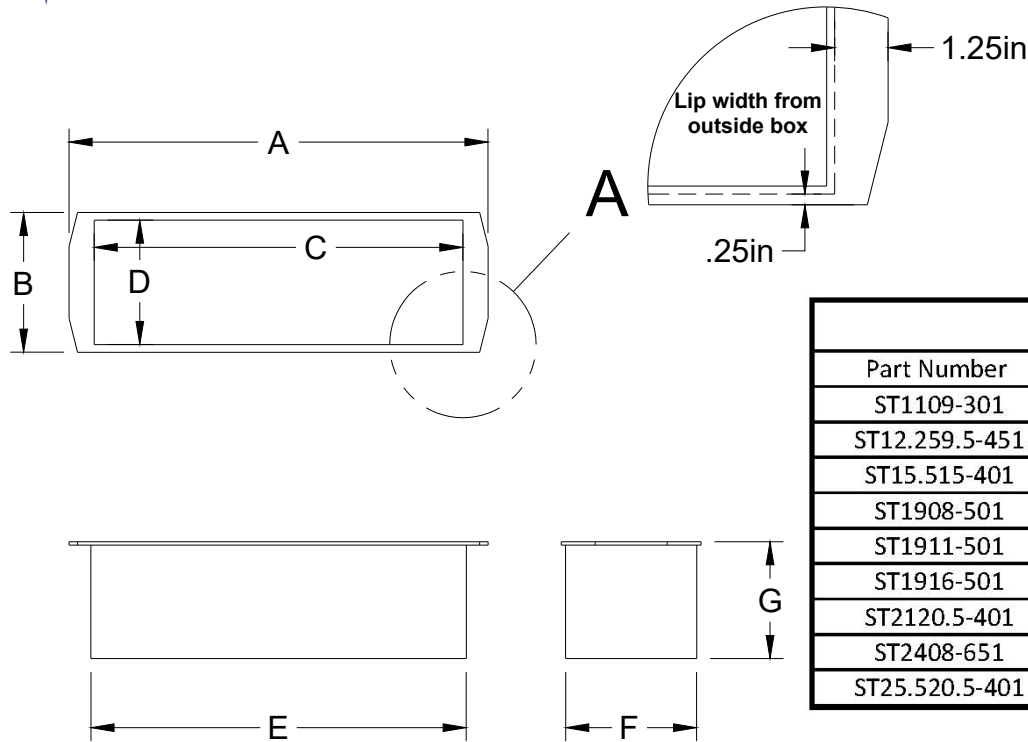


# Scientific Plastics Company, Inc.

1016 SOUTHWEST BLVD KANSAS CITY, KS 66103

www.scientificplastics.com 913-432-0322

## STANDARD TOTE TRAYS



Part Number	OVERALL OD		INTERNAL ID		OUTSDIE BOX		DEPTH
	A	B	C	D	E	F	G
ST1109-301	11	9	8.1	8.1	8.5	8.5	3
ST12.259.5-451	12.25	9.5	9.35	8.6	9.75	9	4.5
ST15.515-401	15.5	15	12.6	14.1	13	14.5	4
ST1908-501	19	8	15.915	6.665	16.375	7.125	5
ST1911-501	19	11	16.1	10.1	16.5	10.5	5
ST1916-501	19	16	16.1	15.1	16.5	15.5	5
ST2120.5-401	21	20.5	18.1	19.6	18.5	20	4
ST2408-651	24	8	21.125	7.125	21.5	7.5	6.5
ST25.520.5-401	25.5	20.5	22.6	19.6	23	20	4

**Specifications:** Laboratory spill trays are a minimum 3/16" thick, one piece stress free, virgin polyethylene with smooth interior walls and coved corners for easy cleaning. Trays conform to ASTM #1412 for corrosion resistance, and provide secondary containment complying with OSHA 1910.1450 and EPA 264.175 for chemical stockrooms/ storerooms. All trays are manufactured in the USA.

- Protects cabinets and shelving from acid spills
- Over 250 sizes of trays available
- Available in 1", 1-1/2" & 2" depths
- Standard color is natural, special colors available 3/16" tray walls for rigidity.
- One piece rotationally molded polyethylene
- Rounded corners for easy cleaning
- Dishwasher safe

**SCIENTIFIC PLASTICS**  
 1016 SOUTHWEST BLVD  
 KANSAS CITY KS 66103  
 (913)-432-0322  
 (913)-432-0459

DEPT.  
TRAYS

SP PART #  
TOTE TRAYS

SCALE REV  
1:10

SHEET 1/2

DRAWN BY: Philip Llamas

8/4/2022

CHECKED  
APPROVED