



Scientific Plastics Company, Inc.

1016 SOUTHWEST BLVD KANSAS CITY, KS 66103

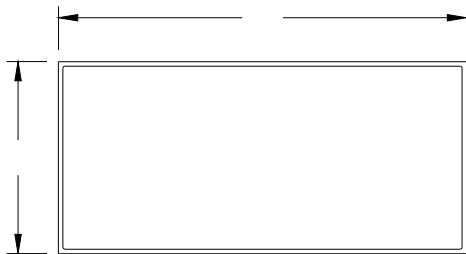
www.scientificplastics.com 913-432-0322

HAND HELD TOTE TRAY SUBMITTAL

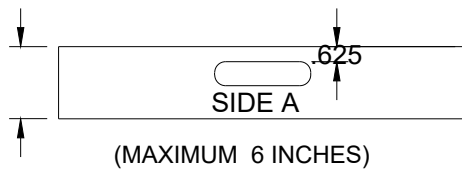
1. MOST TRAYS CAN BE FABRICATED AS HAND HELD TOTES. SPECIFY TRAY DIMENSION BELOW.

LINK TO TRAY SIZES AND PART NUMBERS

SPECIFY OUTSIDE LENGTH AND WIDTH

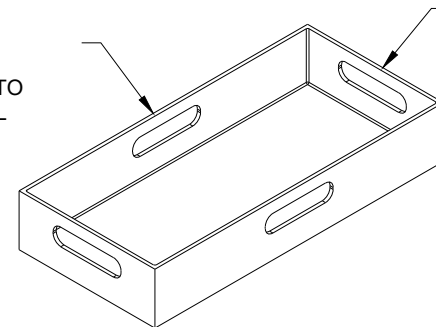


SPECIFY TRAY HEIGHT



2. CHECK BOX FOR 1 SET OF HOLDS OR 2. 1 SET WILL BE PLACED ON THE SHORT SIDES OF THE TRAY.

CHECK HERE TO ADD OPTIONAL 2ND SET.



CHECK HERE FOR 1 SET.

