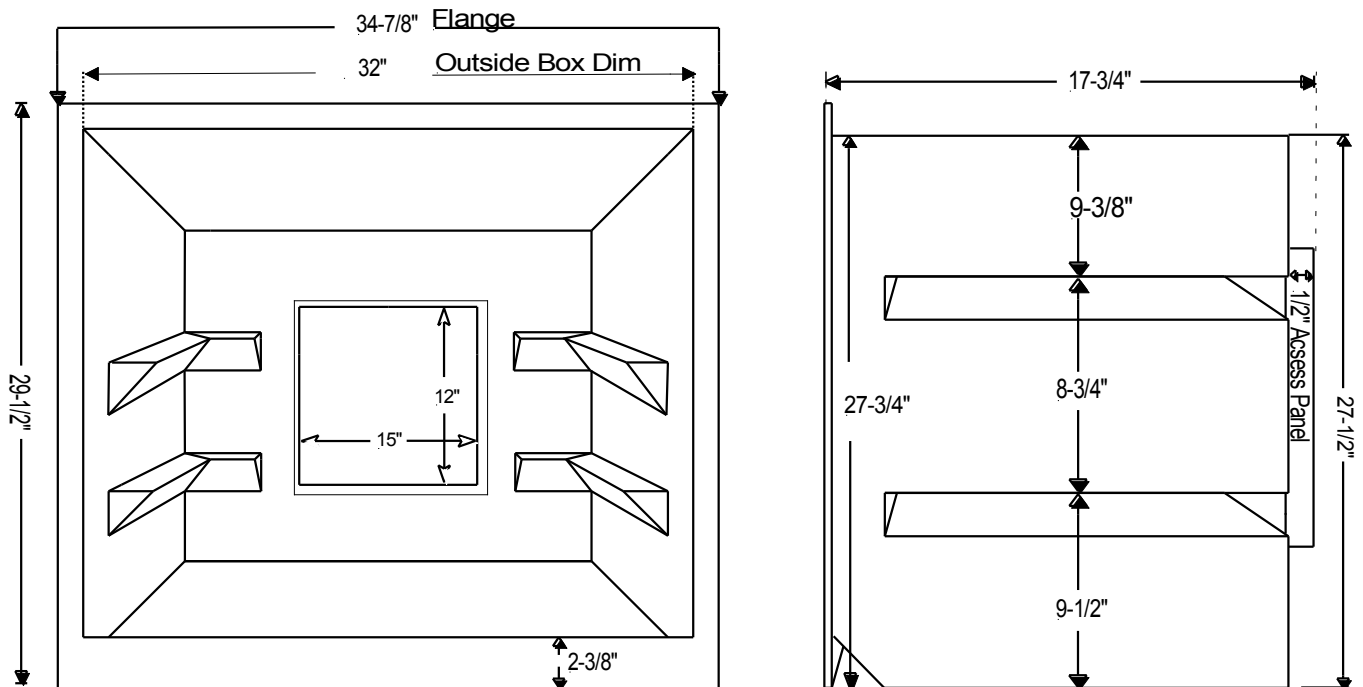




# SCIENTIFIC PLASTICS INC.

## Universal One Piece Cabinet Liner - 36 Tall



Liner designed to fit cabinets with openings  
27-3/4"-29-1/2"(H) X 32"- 34-7/8"(W).

- Due to rotational molding variability all measurements are  $\pm 1/8"$ .
- Liner is manufactured to sit on bottom of cabinet with bottom flange flush to cabinet.
- Only top and side flanges should be trimmed to fit cabinet.  
**DO NOT TRIM BOTTOM FLANGE.**
- Liner must be secured to inside of cabinets with proper fasteners. Minor shimming may be required for secure and level installation.
- Cabinets should be kept at an ambient temp of  $70^{\circ}\text{F} \pm 5^{\circ}$  for at least 24 hours prior to on-sight trimming and installation.



Scientific Plastics Inc.  
1016 Southwest Blvd.  
Kansas City Ks. 66103  
Phone:(913)432-0322  
Fax:(913)432-0459

S.P. Part Number RO36TALL-001

Date: 4/28/14