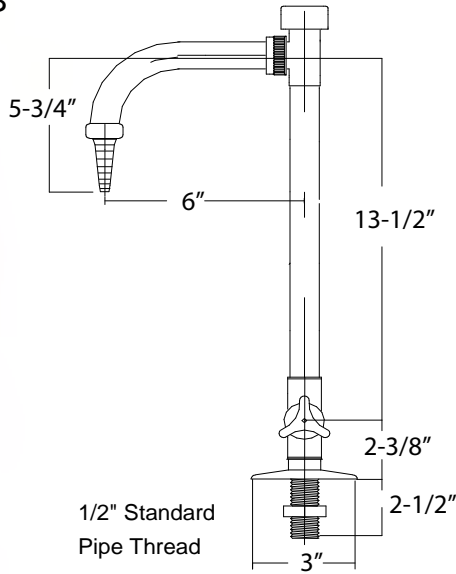
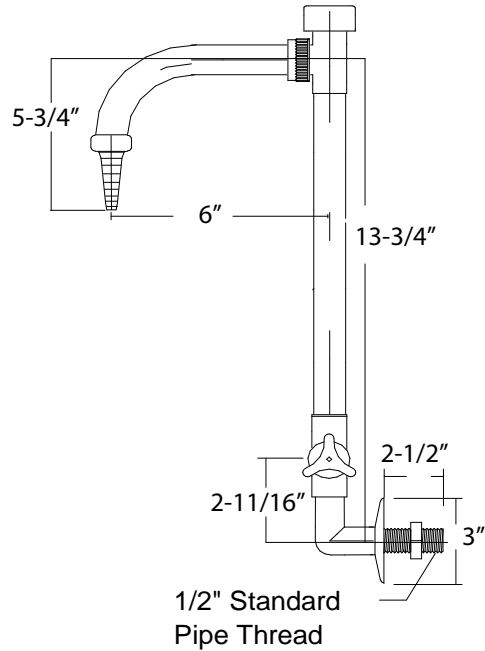


Welded Valve Faucets

SPF 10
VB



SPF 20
VB



Recommended Specifications

Welded Assembly Deck mounted Laboratory Faucet with integral vacuum breaker manufactured from Virgin unpigmented resin.

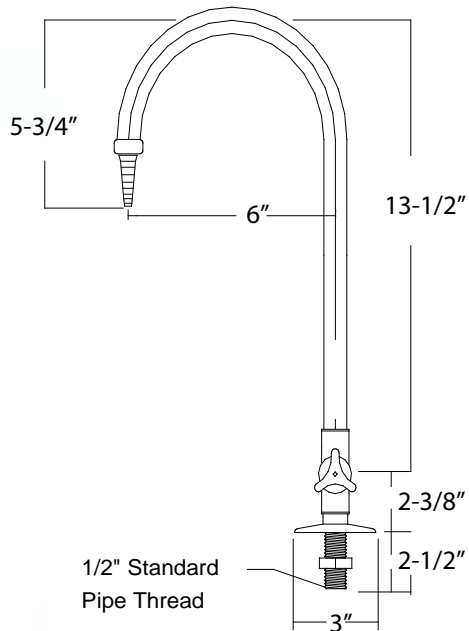
Polypropylene per ASTM D 4101 PVDF per ASTM D 3222

Recommended Specifications

Welded Assembly Wall mounted Laboratory Faucet with integral vacuum breaker manufactured from Virgin unpigmented resin.

Polypropylene per ASTM D 4101 PVDF per ASTM D 3222

SPF 10
STD



SPF 20
STD

