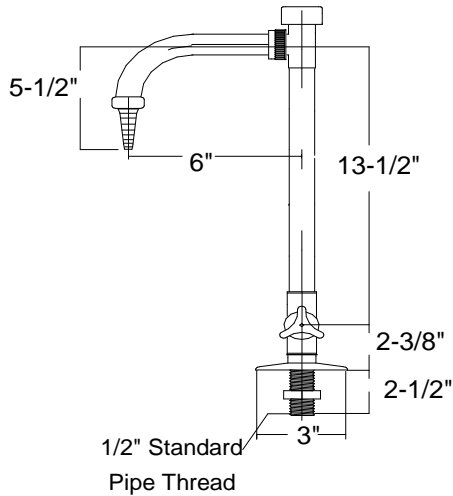


## Vacuum Breaker Faucets

**SPF 10  
VB**

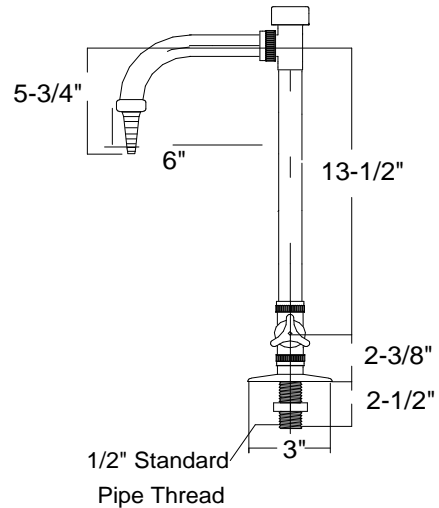


**Recommended Specifications**

Welded assembly deck mounted laboratory faucet with integral vacuum breaker manufactured from virgin unpigmented resin.

- Polypropylene per ASTM D 4101     PVDF per ASTM D 3222

**SPF 30  
VB**

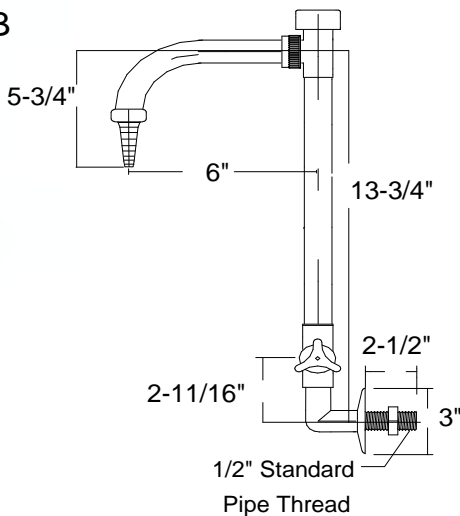


**Recommended Specifications**

Threaded assembly deck mounted laboratory faucet with integral vacuum breaker manufactured from virgin unpigmented resin.

- Polypropylene per ASTM D 4101     PVDF per ASTM D 3222

**SPF 20  
VB**

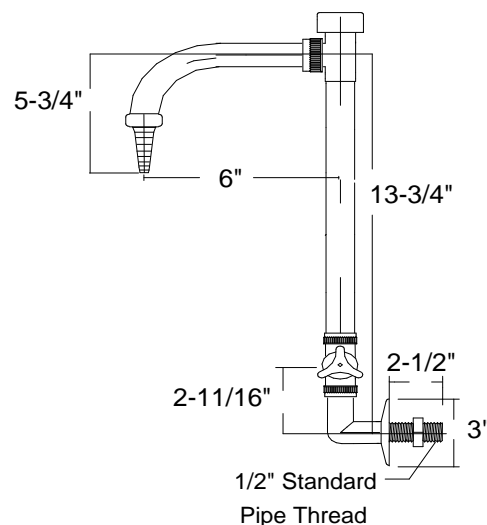


**Recommended Specifications**

Welded assembly wall mounted laboratory faucet with integral vacuum breaker manufactured from virgin unpigmented resin.

- Polypropylene per ASTM D 4101     PVDF per ASTM D 3222

**SPF 40  
VB**



**Recommended Specifications**

Threaded assembly wall mounted laboratory faucet with integral vacuum breaker manufactured from virgin unpigmented resin.

- Polypropylene per ASTM D 4101     PVDF per ASTM D 3222