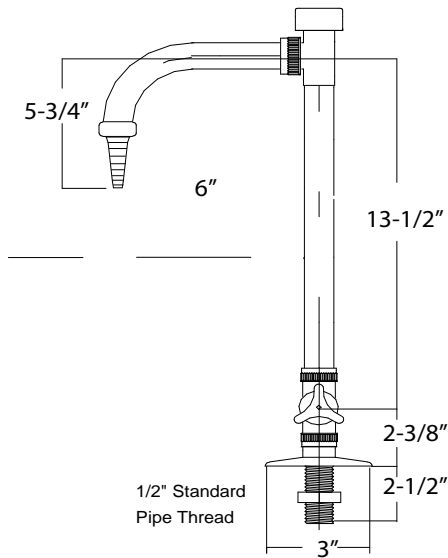
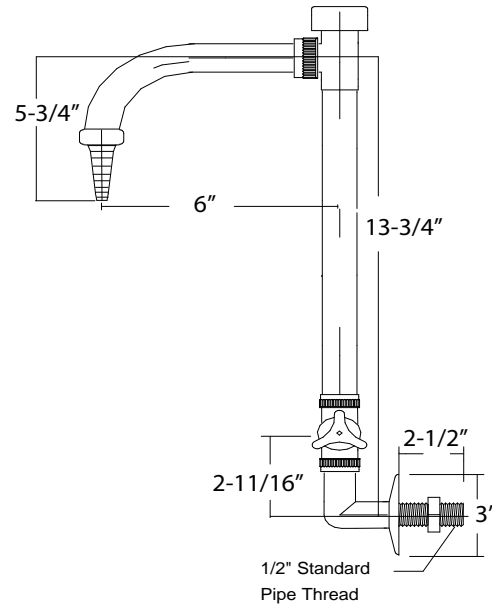


Threaded Valve Faucets

SPF 30
VB



SPF 40
VB



Recommended Specifications

Threaded assembly deck mounted laboratory faucet with integral vacuum breaker manufactured from virgin unpigmented resin.

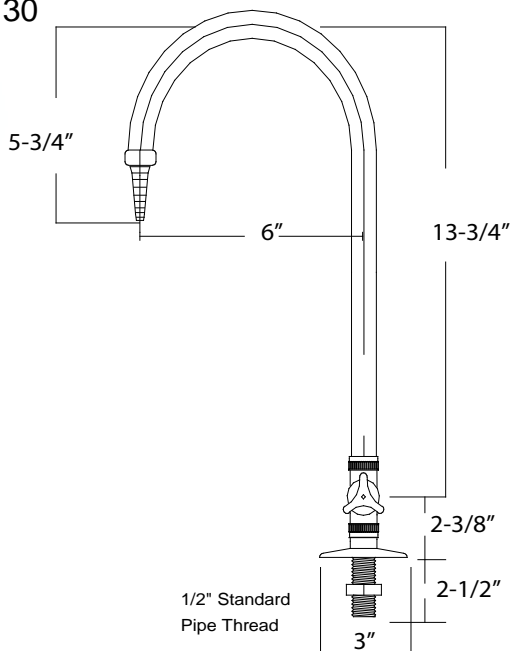
Polypropylene per ASTM D 4101 PVDF per ASTM D 3222

Recommended Specifications

Threaded assembly wall mounted laboratory faucet with integral vacuum breaker manufactured from virgin unpigmented resin.

Polypropylene per ASTM D 4101 PVDF per ASTM D 3222

SPF 30
STD



SPF 40
STD

