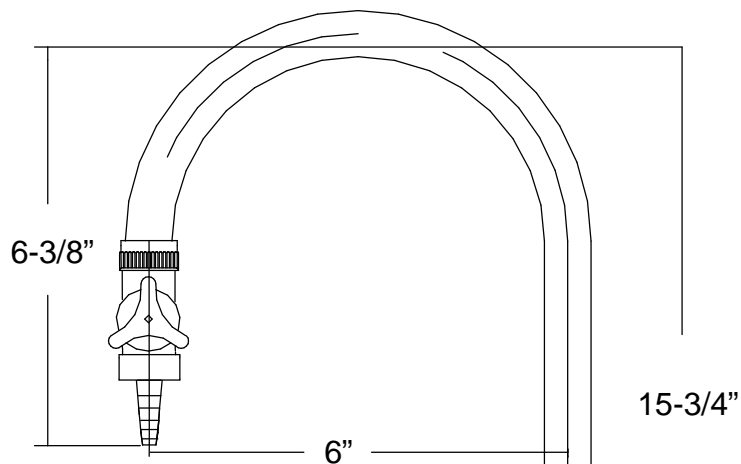


## Recirculating Faucets

### Recirculating Faucet PP

Deck mounted recirculating laboratory faucet manufactured from virgin unpigmented Type I homopolymer polypropylene per ASTM D 4101. Inlet and outlet to be 1/2" female pipe thread and molded into base. Unit to be activated by needle valve of same resin, mounted at point of release of fluid.



### Recirculating Faucet PVDF

Deck mounted recirculating laboratory faucet manufactured from virgin unpigmented PVDF resin per ASTM D 3222. Inlet and outlet to be 1/2" female pipe thread and molded into base. Unit to be activated by needle valve of same resin, mounted at point of release of fluid.

