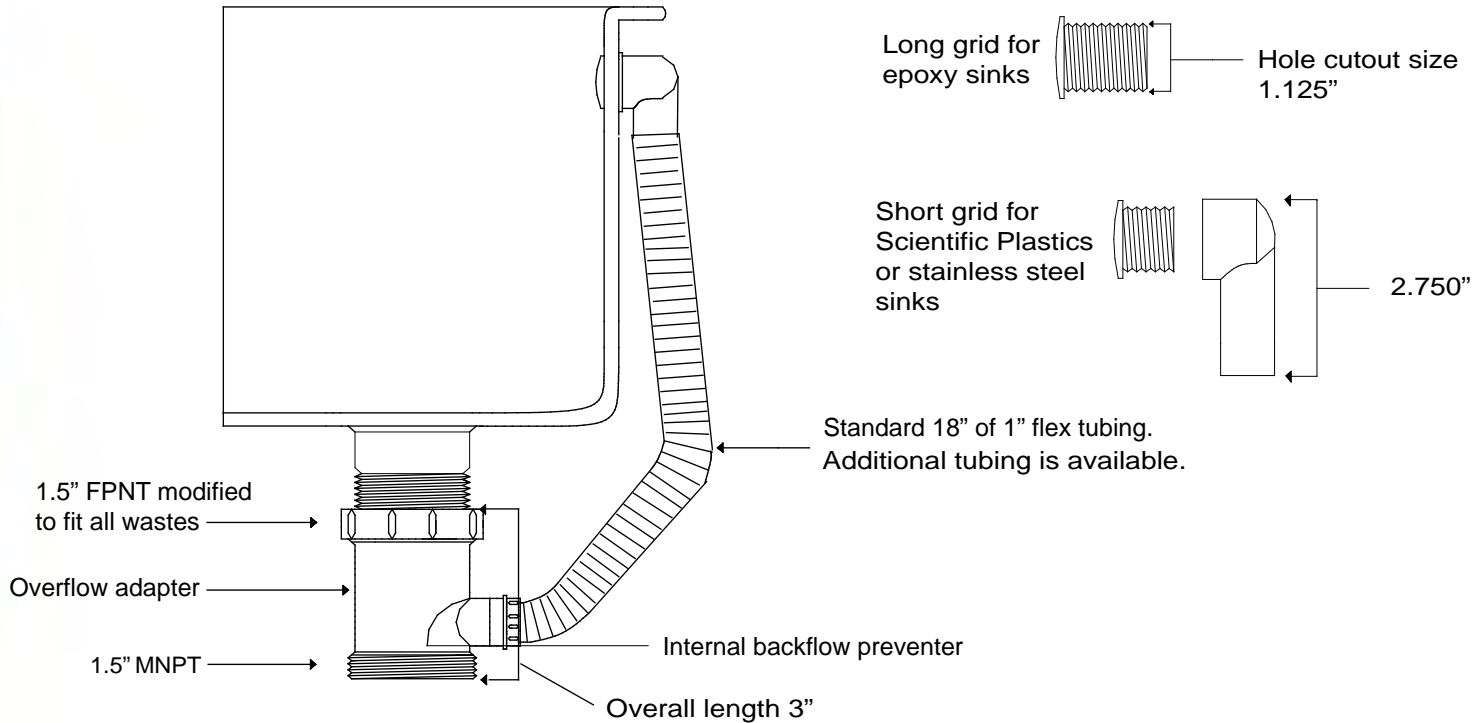


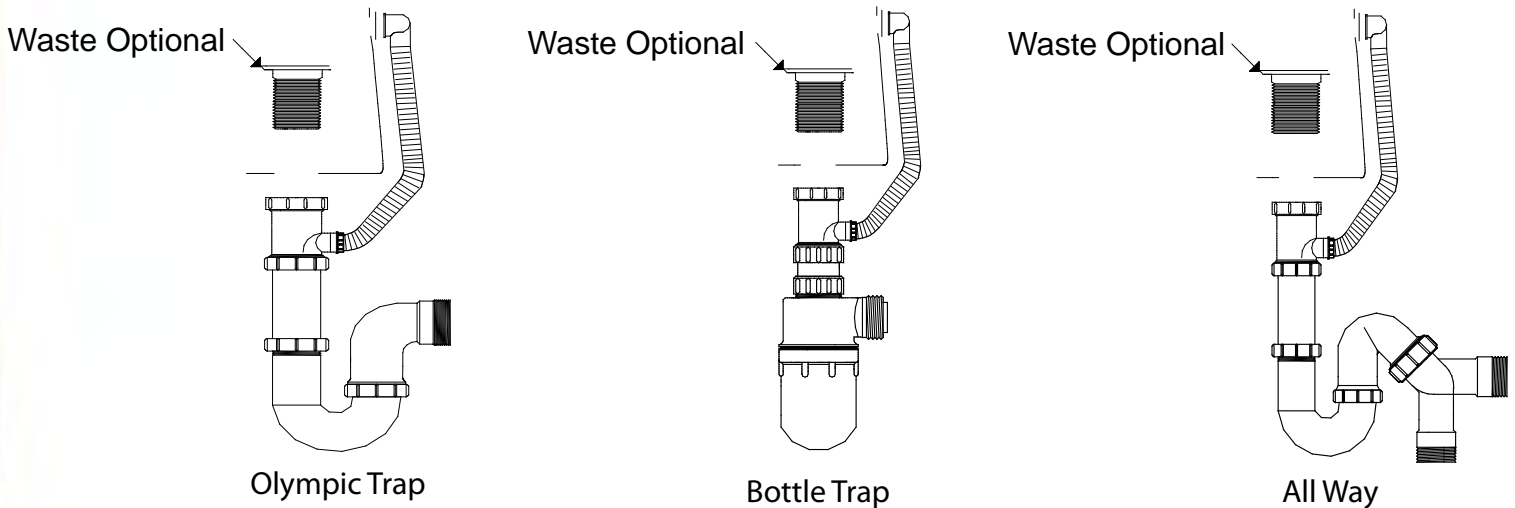
Integral Sink Overflow

(Specify type of Sink)

W38557-150



****Overflow application can be used with the following different styles of Traps.****



Integral Sink Overflow Specification

Integral overflow unit for lab sinks to be manufactured of virgin polyolefin, (polypropylene), material to meet ASTM 1412 standard.

Overflow assembly to consist of grid connection located on the side of the sink, two inches below the top surface. A flexible tube made of polypropylene, one inch in diameter, connects the grid connection to an 1-1/2" diameter adapter attached to the sink outlet. To prevent wastewater from backing up into the sink, the adapter must include an integral backflow preventer.