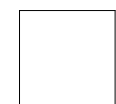
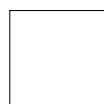


# F164L137-150 LOW PROFILE HIGH VELOCITY CUPSINK

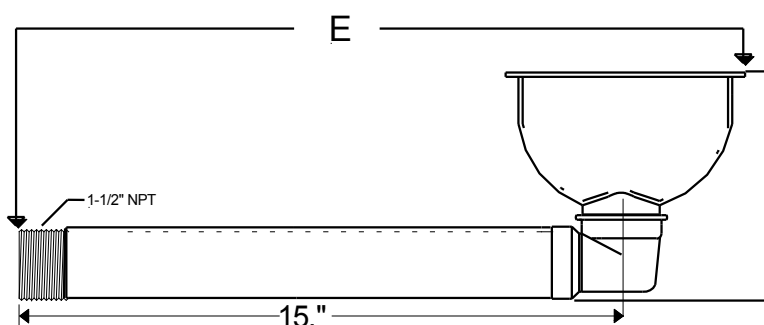
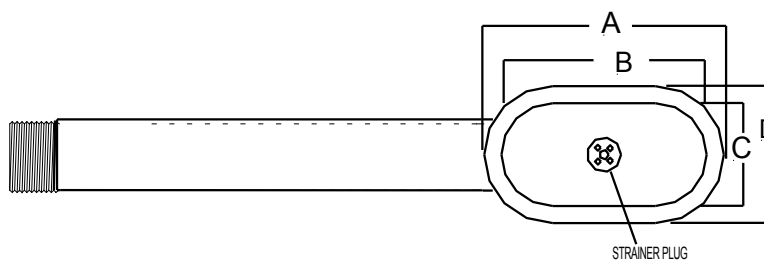
Please Be sure to select the correct style of cup sink orientation for your application. with selection box below.



STYLE (A)



STYLE (B)



SYMBOL	A	B	C	D	E	F	COLOR
F164L137-150	7-7/16"	5-3/4"	2-3/4"	4-1/2"	18-3/4"	6-1/2"	BLACK
F164L137-151	7-7/16"	5-3/4"	2-3/4"	4-1/2"	18-3/4"	6-1/2"	WHITE
F164L137-154	7-7/16"	5-3/4"	2-3/4"	4-1/2"	18-3/4"	6-1/2"	GREY



Scientific Plastics Inc.  
 1016 Southwest Blvd.  
 Kansas City Ks. 66103  
 Phone: (913)432-0322  
 Fax: (913)432-0459

S.P. Part Number F164L137-

Date: 1/18/12