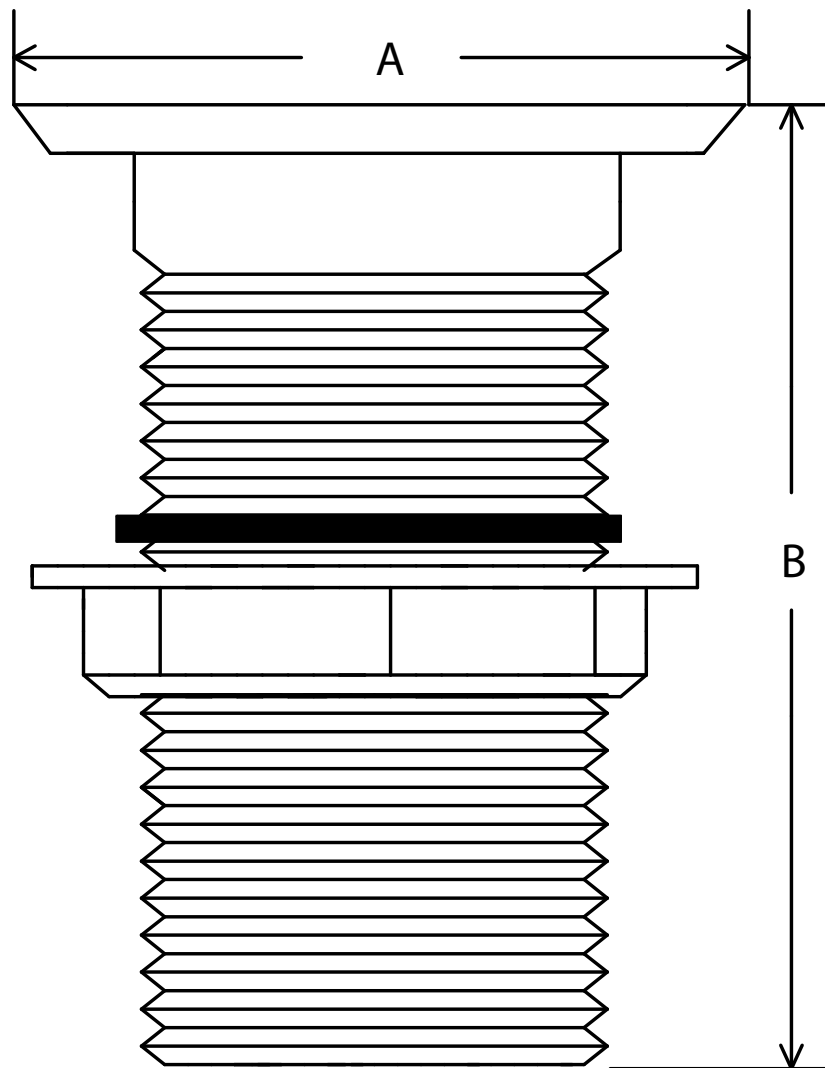


Sink Tailpiece Assembly



Here is a sturdy tailpiece which has an integral recessed strainer for clog-free drainage flow and easy cleaning; 1-1/2" NPSL thread, plug, backnut and gasket.

SYMBOL	SIZE	A	B	COLOR
W38953-152	1.5" NPSL	3-3/8"	3-3/4"	BLACK
W38953-154	1.5" NPSL	3-3/8"	3-3/4"	GREY
W38953-158	1.5" NPSL	3-3/8"	3-3/4"	WHITE