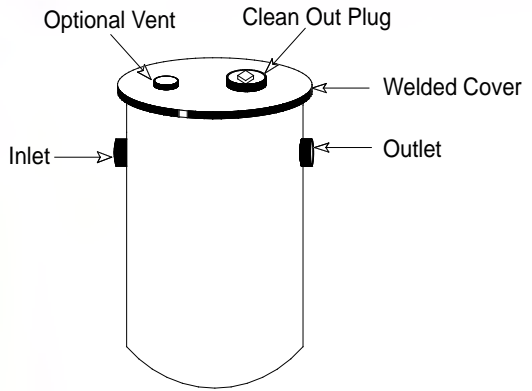
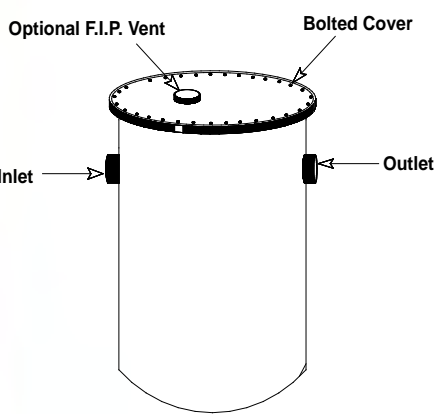


Tank Types



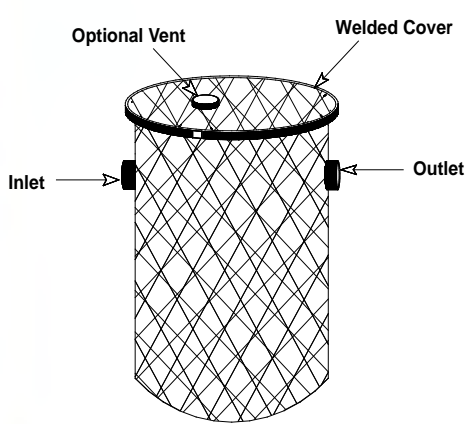
Welded Cover Tanks

Welded Cover tanks are manufactured in 15 gallon to 2400 gallon sizes. These tanks are complete with welded circular tops. The 15 and 30 gallon tanks have a 6" clean out installed in the top of the tank for access. Tanks above 55 gallons have a 17" bolted manhole installed for access.



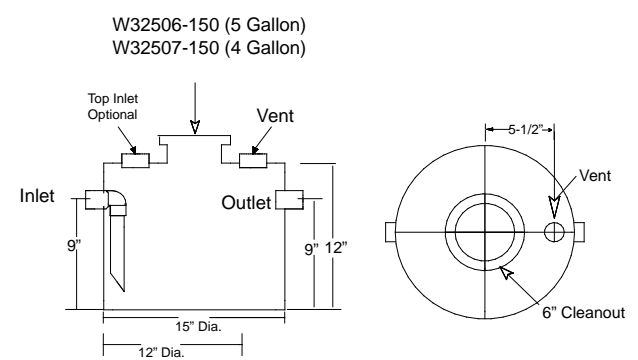
Bolted Cover

Bolted cover tanks are manufactured in 2 gallon to 2400 gallon sizes. These tanks are cylindrical shaped with bolted circular top. This is removable for access to the tank.



Fiberglass Reinforced Tanks

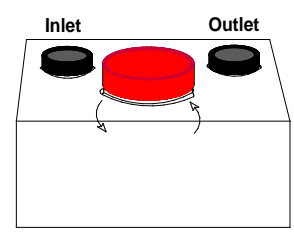
FRP wrapped tanks are manufactured in all sizes. These tanks are fiberglass reinforced for additional strength. Typically, FRP have the same access as welded cover tanks with bolted tops available.



| Type | Size |
|--------|--------------|
| Inlet | 1 1/2" or 2" |
| Outlet | 1 1/2" or 2" |
| Vent | 1 1/2" |

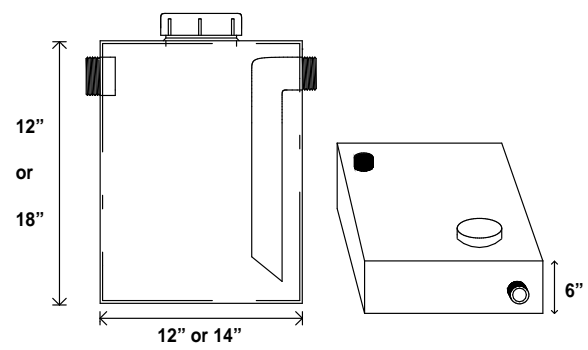
5 Gallon Holding Tanks

These molded tanks are designed for use in applications that require a five gallon holding tank at the point of use. The tank can serve as a neutralization tank when used with limestone chips, and without limestone will serve as dilution tank. The 6" clean out installed in the center top of the tank provides easy access.



Rectangular Tanks/Traps

Rectangular tanks are designed for use at point of use. These tanks have a 1 and 1/4 gallon capacity. Without limestone these tanks serve as a dilution tank or sink trap. They can also be used with limestone for neutralization. A 3" clean out cap can be installed in the side of the tank or on top to provide best access.



Flat Book Shelf Tanks

One piece rotationally molded bookshelf tank. Great for confined spaces. The tank is available in 3 and 5 gallon capacity, 1-1/2" or 2" Male, Female or Plain End Fitting. This tank is equipped with a 3" top clean out cap for safe and easy maintenance and cleaning.