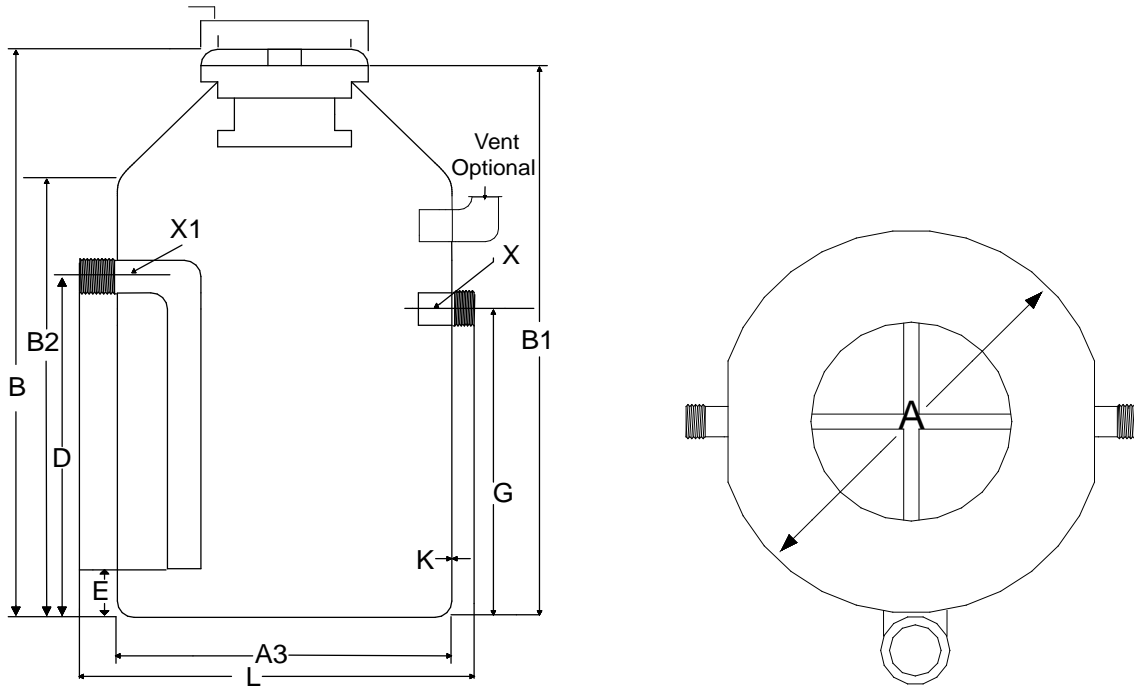


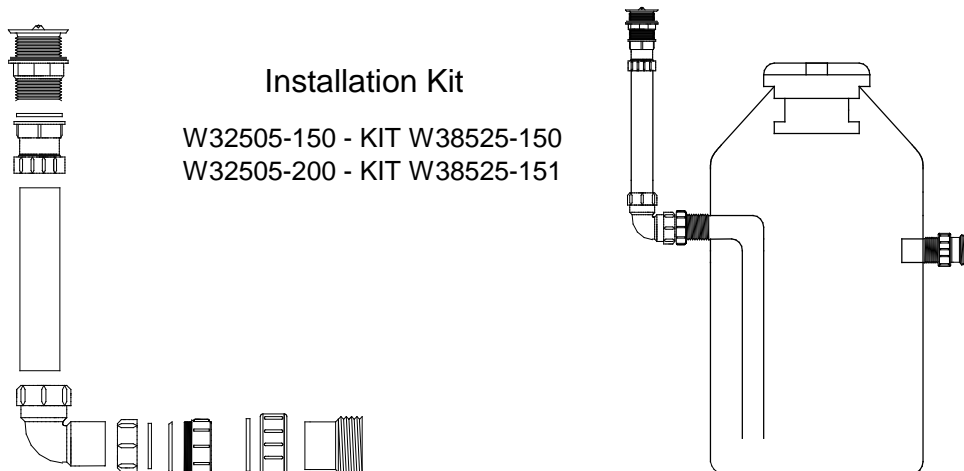
Dilution Tanks (Undercounter Dilution / Neutralization Tank)



Unit designed for easy access to clean and recharge. May also be used as plaster or sedimentation recovery unit. Red screw cap signals unit as part of acid waste system and allows for easy cleaning.

SYMBOL	CAPACITY (US Gal.)	A	A1	A2	A3	B	B1	B2	D	E	G	L	K	X MPT	X1 MPT	USABLE CAPACITY (US GAL.)	WT. (LBS.)
W32505-150	6	12	8	5.5	11	18.5	17.75	16	13.5	2	12.5	16	1/4"	1.5	1.5	4.3	8
W32505-200	6	12	8	5.5	11	18.5	17.75	16	13.5	2	12.5	16	1/4"	2	2	4.25	8

Use replacement neutralization chips part number W32599-050 (50#)



Installation Kit

W32505-150 - KIT W38525-150

W32505-200 - KIT W38525-151