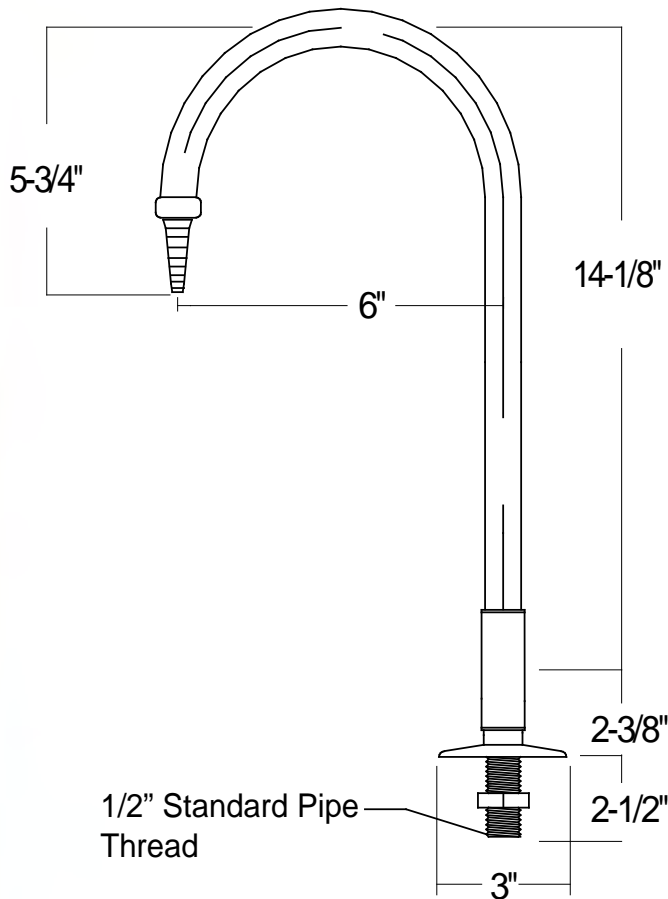
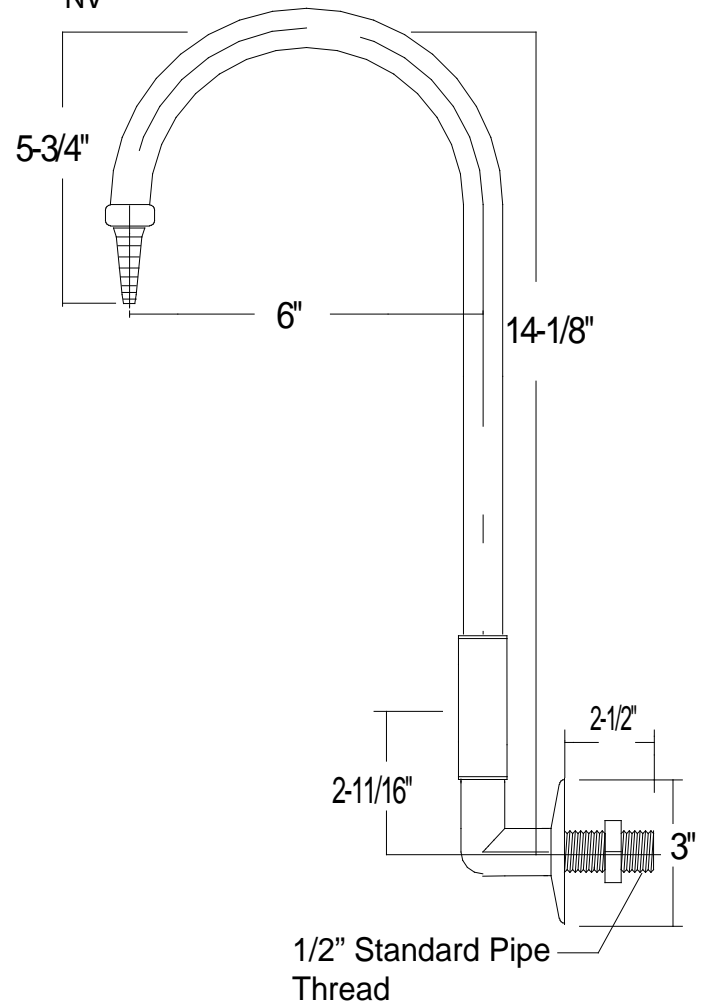


Non Valve Faucets

SPF 10
NV



SPF 20
NV



Recommended Specifications

Welded assembly deck mounted laboratory faucet with integral vacuum breaker manufactured from virgin unpigmented resin.

Polypropylene per ASTM D 4101 PVDF per ASTM D 3222

Recommended Specifications

Welded assembly wall mounted laboratory faucet with integral vacuum breaker manufactured from virgin unpigmented resin.

Polypropylene per ASTM D 4101 PVDF per ASTM D 3222