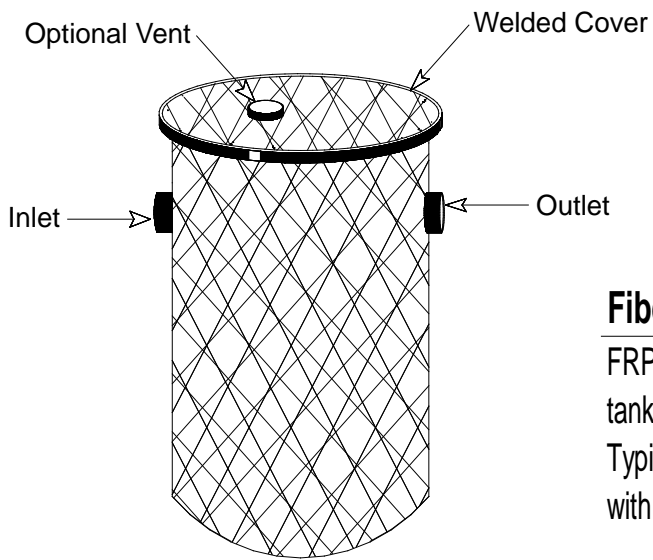


FRP Wrapped



Fiberglass Reinforced Tanks

FRP wrapped tanks are manufactured in all sizes. These tanks are fiberglass reinforced for additional strength. Typically, FRP have the same access as welded cover tanks with bolted tops available.

Standard Tank Dimensions

Gallons	Inlet/Outlet	Vent	A-Height	B-Diameter	C-Inlet/Outlet	D-Vent	E-Inlet to btm	Weight
2	1.5"	1.5"	9"	9"	6.5"	2"	2"	3-3/4"
5	2"	2"	16-1/4"	11"	12"	3"	3"	9
7.5	2"	1.5"	16.5"	12-1/4"	13.5"	3"	3"	10
15	3"	2"	25"	14-1/4"	21.5"	3"	3"	14.5
15	3"	2"	15.5"	17-1/4"	10"	3"	3"	12
20	3"	2"	24"	16.5"	21"	2.5"	3"	16
30	3"	2"	30.5"	17.5"	25"	3"	3"	18
40	3"	2"	25.5"	22.5"	21"	3"	3"	30
55	3"	2"	33.5"	22.5"	27"	3"	3"	37
100	4"	3"	49"	24"	42"	3"	3"	50
150	4"	3"	48"	30"	40"	3"	3"	70
180	4"	3"	42"	36"	34"	3"	3"	75
200	4"	3"	53"	36"	45"	3"	3"	86
275	4"	3"	48"	42"	40"	3"	4"	100
360	4"	3"	48"	48"	40"	3"	3"	172

*All tanks furnished with male, female or plain end fittings. All other additional fittings from price sheet.

**Allow additional 5" for flange clearance on diameter of tank. All weight listed above is in pounds.

All tanks above supplied with above sized inlets, outlets and vents.

Tanks may be ordered with other variations on inlets, outlets and vents, as well as, different locations and elevations of openings. For additional openings or variations of fitting sizes, contact your Scientific Plastics representatives for pricing.

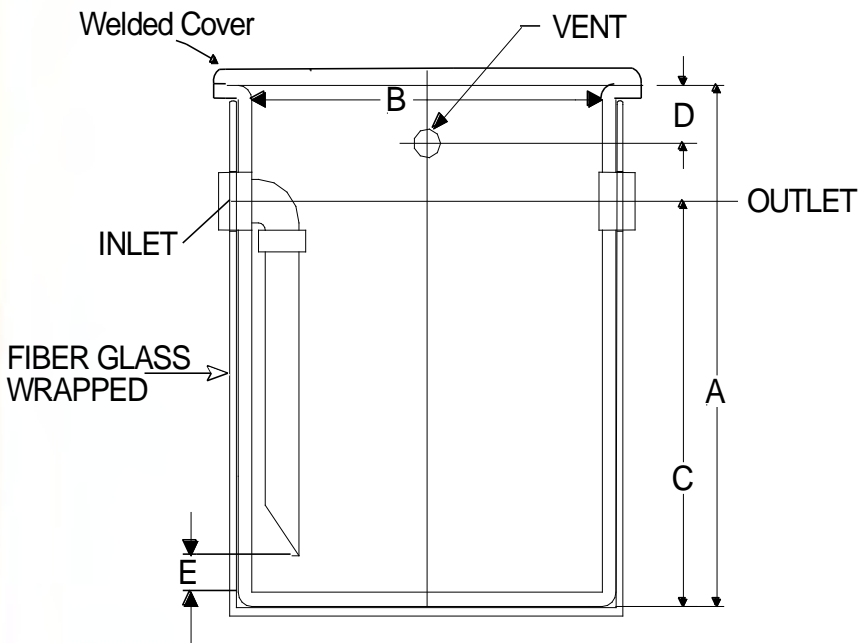
1. All tanks are free standing and self supporting.
2. Tanks often ship dimensional weight. Contact freight carrier for details on dimensional weight.
3. Larger tank sizes by special order.

Cylindrical Tank Data Sheet (FRP Wrapped)

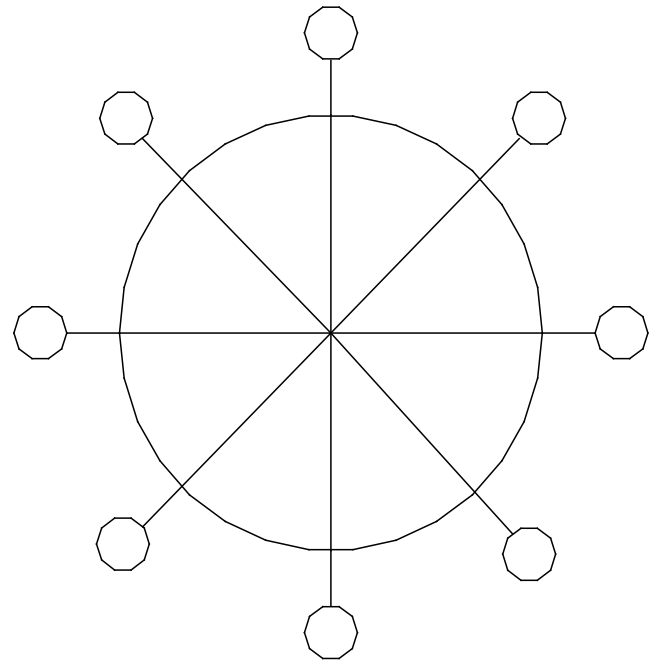
Part No.	_____
P.O. No.	_____
# of Tanks	_____
Tank Size	_____

<input type="checkbox"/>	Welded Cover
<input type="checkbox"/>	Bolted Cover

A	B	C	D	E



Top view of tank



Please Specify Inlet and Outlet Locations

Connections		
Type	Size	
Inlet		Job Name
Outlet		Date
Vent	<input type="checkbox"/> Top <input type="checkbox"/> Side	