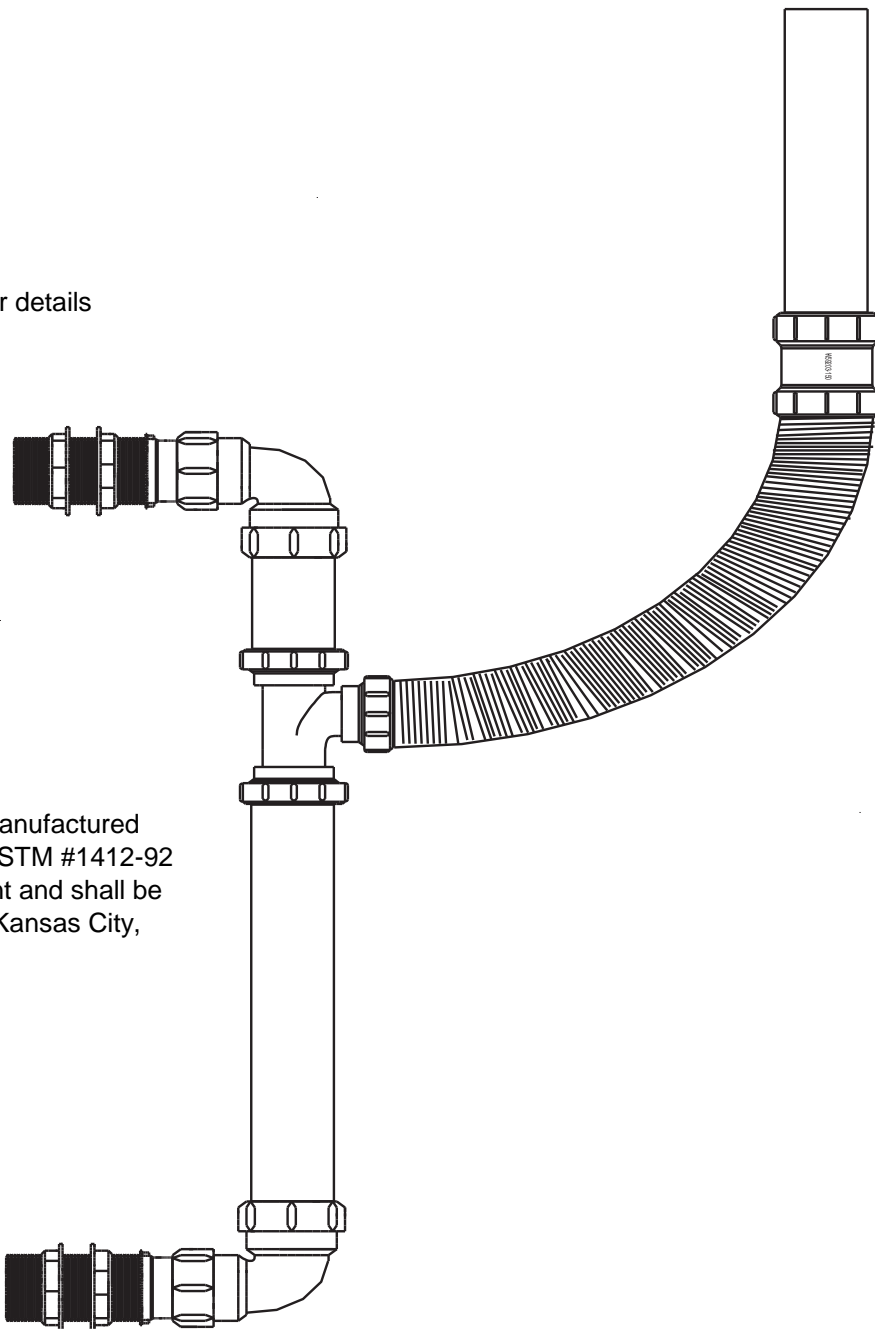


### Hi-Lo Acid Vent Assembly F160L06XF-150

- Designed for acid or material cabinets
- Squeezed or non-squeezed top
- Flexible or standard pipe available
- Custom venting made to your order, call for details



**Specifications:** Venting system shall be manufactured from polyolefin resin and shall conform to ASTM #1412-92 for corrosion resistance and material content and shall be manufactured by Scientific Plastics, Inc. of Kansas City, KS.