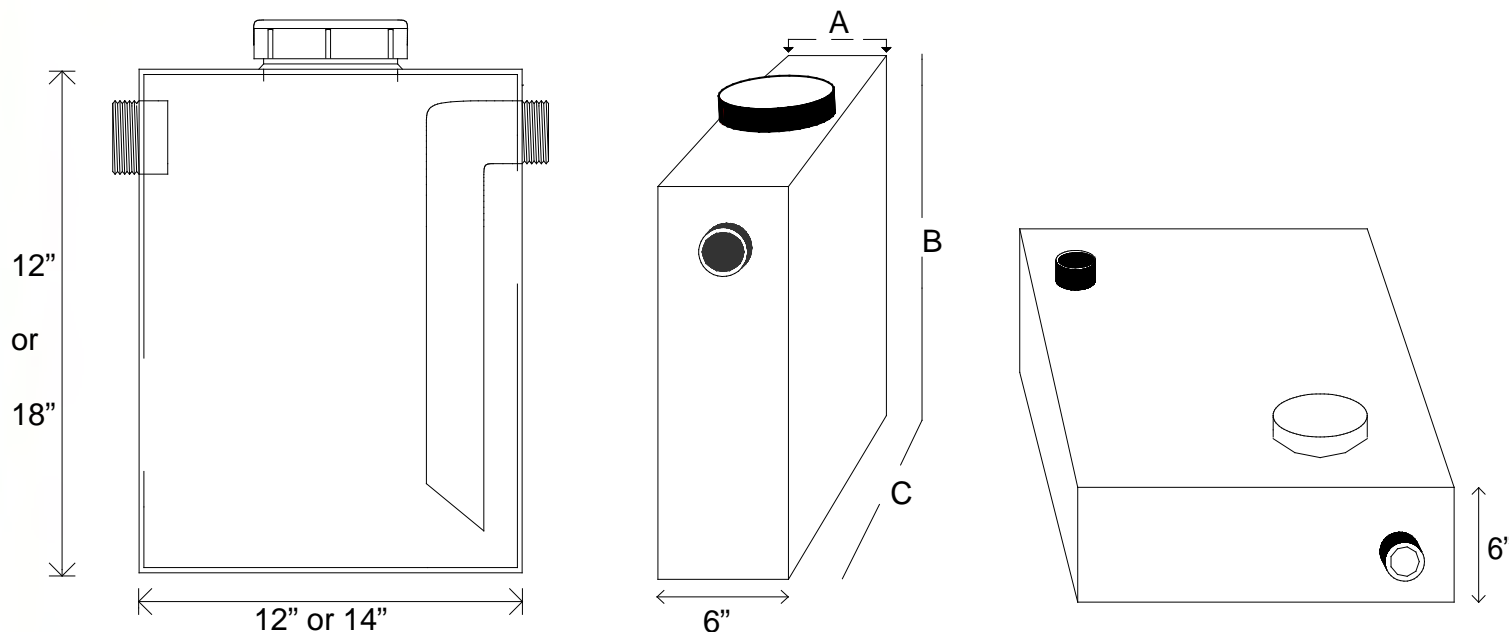


BookShelf Tanks

Neutralization or Dilution for Limited Space



A	B	C	D= GAL	PART NUMBER
6"	12"	12"	3	W121206-001
6"	18"	14"	5	W181406-001

Flat Book Shelf Tanks

One piece rotationally molded bookshelf tank. Great for confined spaces. The tank is available in 3 and 5 gallon capacity, 1-1/2" or 2" male, female or plain end fitting. This tank is equipped with a 3" top clean out cap for safe and easy maintenance and cleaning.

- One piece rotationally molded
- 1-1/2" or 2" male/female or plain end inlet and outlet
- 3" top cleanout cap