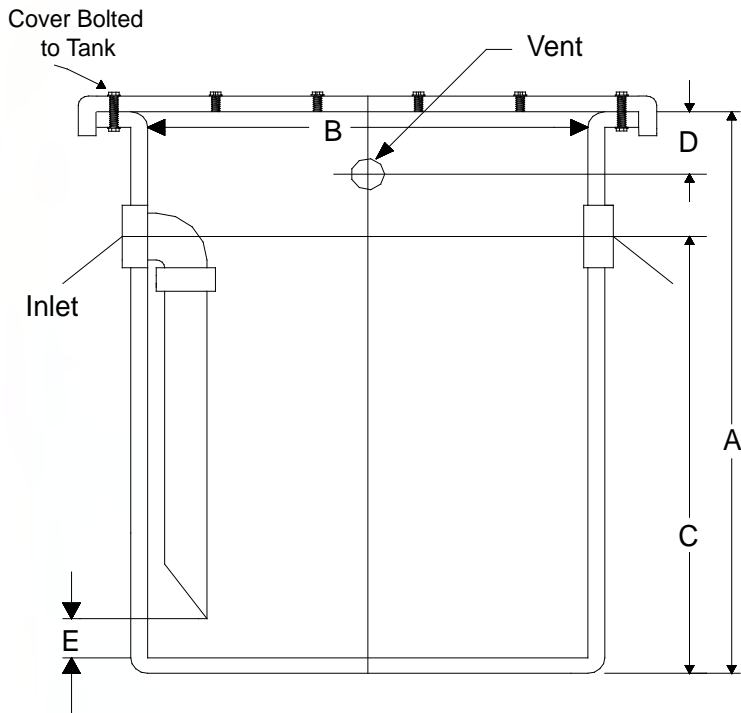


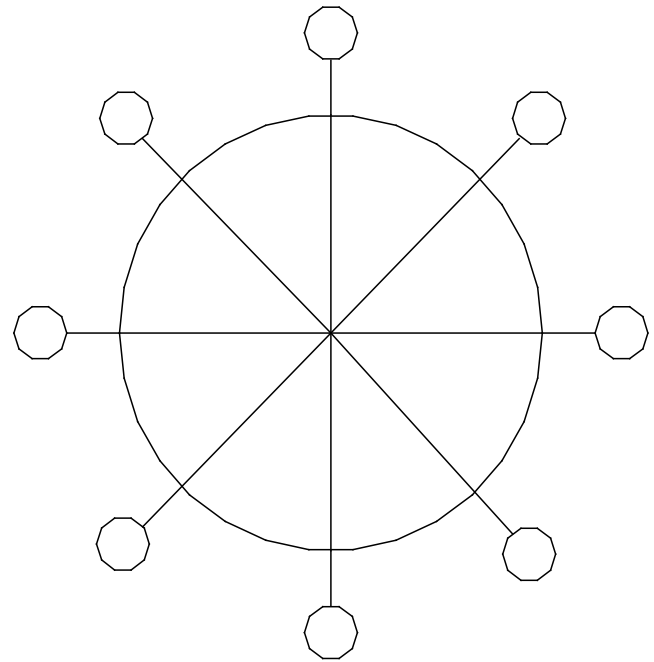
Cylindrical Tank Data Sheet (Bolted Cover)

Part No.	
P.O. No.	
# of Tanks	
Tank Size	

A	B	C	D	E



Top view of tank



Please Specify Inlet and Outlet Locations

Connections		
	Type	Size
Inlet	Job Name	
Outlet	Date	
Vent	<input type="checkbox"/> Top	<input type="checkbox"/> Side