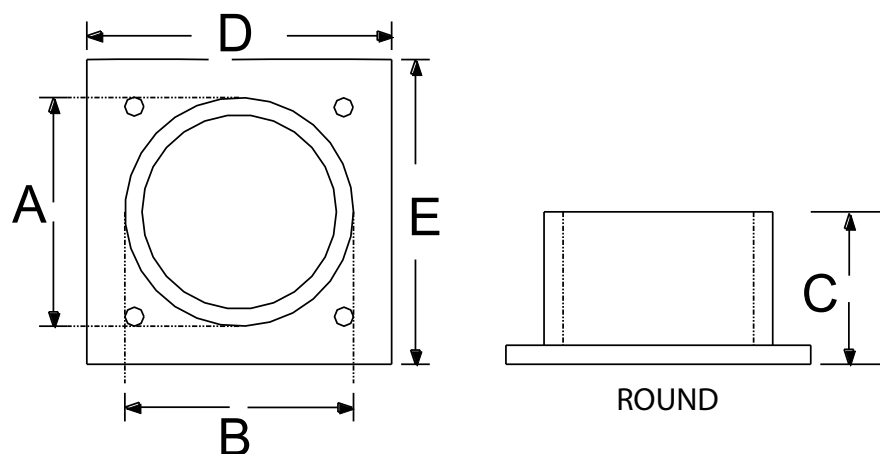


Bench Top Sleeve

W38576-200 - 2"

W38576-301 - 3"

This sleeve is used to penetrate the top of a cabinet so that vacuum hoses and other fragile piping can be brought out of the cabinet through the top without cutting or chafing the hose.



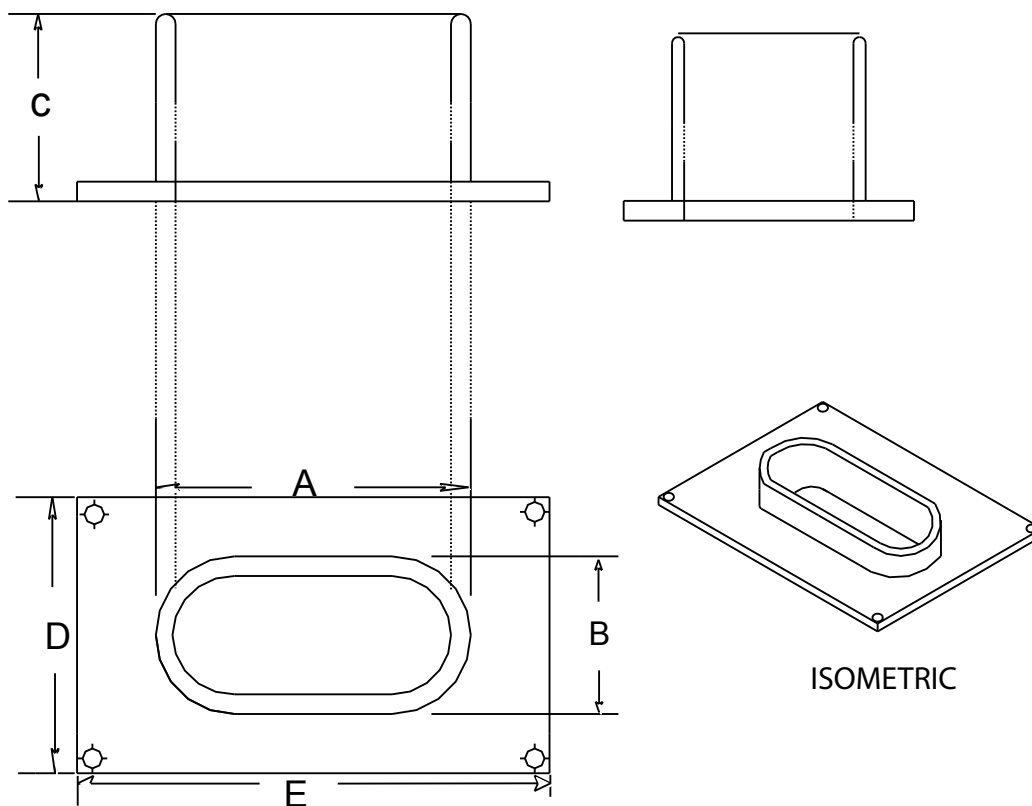
SYMBOL	A	B	C	D	E
W38576-200	2"OD	2"OD	2.25"	5"	5"
W38576-301	3"OD	3"OD	2.25"	5"	5"

Please specify 2" OR 3" OD upon order

Bench Top Sleeve

W38575-001

W38577-001



SYMBOL	A	B	C	D	E
W38575-001	4"	2"	2"	5"	5"
W38577-001	6"	3"	2"	5"	5"

*Approximate wall thickness - 3/16"

This sleeve is used to penetrate the top of a cabinet so that vacuum hoses and other fragile piping can be brought out of the cabinet through the top without cutting or chafing the hose.