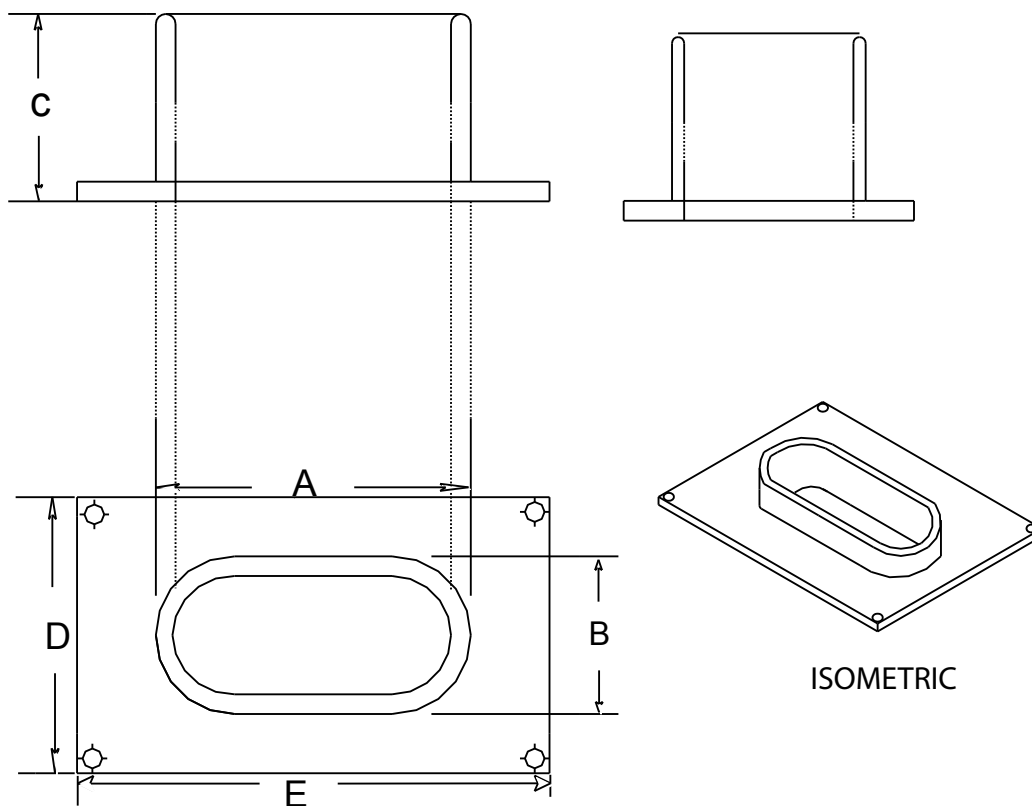


Bench Top Sleeve

W38575-001

W38577-001



SYMBOL	A	B	C	D	E
W38575-001	4"	2"	2"	5"	5"
W38577-001	6"	3"	2"	5"	5"

*Approximate wall thickness - 3/16"

This sleeve is used to penetrate the top of a cabinet so that vacuum hoses and other fragile piping can be brought out of the cabinet through the top without cutting or chafing the hose.