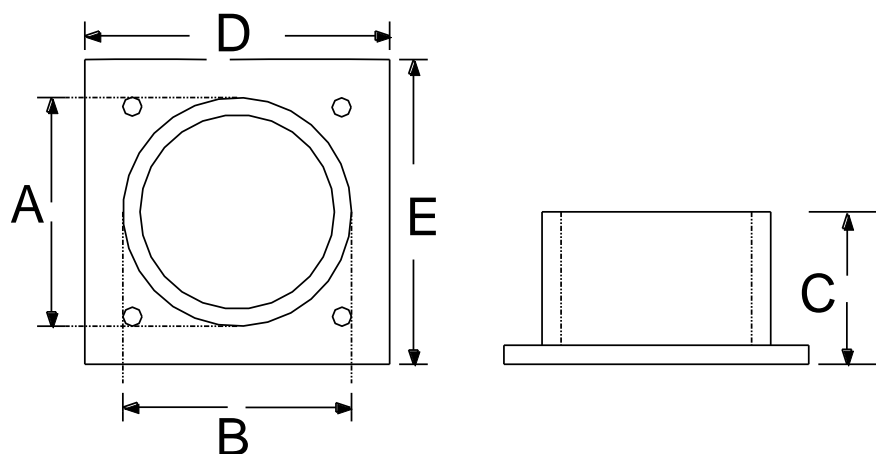


Bench Top Sleeve

W38576-200 - 2"

W38576-301 - 3"

This sleeve is used to penetrate the top of a cabinet so that vacuum hoses and other fragile piping can be brought out of the cabinet through the top without cutting or chafing the hose.



SYMBOL	A	B	C	D	E
W38576-301	3."OD	3."OD	2.25"	5."	5."
W38576-200	2."OD	2."OD	2.25"	5."	5."

Please specify 2" OR 3" OD upon order