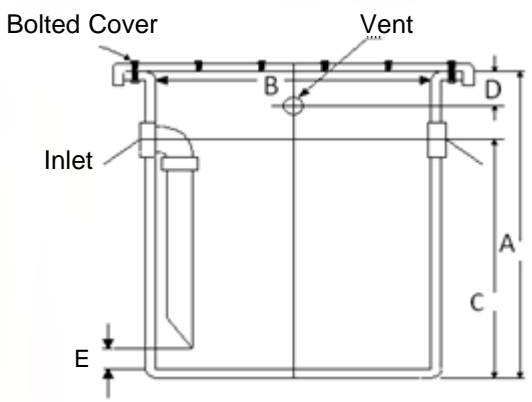
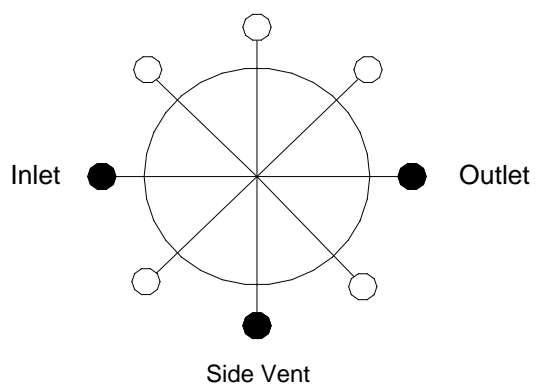


Bolted Cover Tanks



Standard Heights



Standard Locations

Standard Tank Dimensional Guide

Gallons	Inlet/Outlet	Vent	A-Height	B-Diameter	C-Inlet/Outlet	D-Vent	E-Inlet to btm	Weight
2	1.5"	1.5"	9"	9"	6.5"	2"	2"	3-3/4
5	2"	2"	16-1/4"	11"	12"	3"	3"	9
7.5	2"	1.5"	16.5"	12-1/4"	13.5"	3"	3"	10
15	3"	2"	25"	14-1/4"	21.5"	3"	3"	14.5
15	3"	2"	15.5"	17-1/4"	10"	3"	3"	12
20	3"	2"	24"	16.5"	21"	2.5"	3"	16
30	3"	2"	30.5"	17.5"	25"	3"	3"	18
40	3"	2"	25.5"	22.5"	21"	3"	3"	30
55	3"	2"	33.5"	22.5"	27"	3"	3"	37
100	4"	3"	49"	24"	42"	3"	3"	50
150	4"	3"	48"	30"	40"	3"	3"	70
180	4"	3"	42"	36"	34"	3"	3"	75
200	4"	3"	53"	36"	45"	3"	3"	86
275	4"	3"	48"	42"	40"	3"	4"	100
360	4"	3"	48"	48"	40"	3"	3"	172

Special Application Tanks

5S A	2"	2"	16.5"	12-1/4"	13"	3"	3"	10
10S A	3"	2"	15.5"	17-1/4"	10"	3"	3"	12
15S A	3"	2"	24"	16-1/4"	17.5"	3"	3"	16
20S A	3"	2"	30.5"	17-1/4"	23.5"	3"	3"	18
30S A	3"	2"	25.5"	22.5"	20"	3"	3"	30
40S A	3"	2"	33.5"	22.5"	25"	3"	3"	37
55S A	3"	2"	36"	24"	30"	3"	3"	42
100S A	3"	2"	48"	31"	38"	3"	3"	55
150S A	4"	3"	53"	36"	38"	3"	3"	75
200S A	4"	3"	48"	42"	38"	3"	3"	90

*All tanks furnished with male, female or plain end fittings. All other additional fittings from price sheet.

**Allow additional 5" for flange clearance on diameter of tank. All weight listed above is in pounds.

All tanks above supplied with above sized inlets, outlets and vents.

Tanks may be ordered with other variations on inlets, outlets and vents, as well as, different locations and elevations of openings. For additional openings or variations of fitting sizes, contact your Scientific Plastics representatives for pricing.

1. All tanks are free standing and self supporting.
2. Tanks often ship dimensional weight. Contact freight carrier for details on dimensional weight.
3. Larger tank sizes by special order.
4. Special application tank capacity measured from below the outlet.