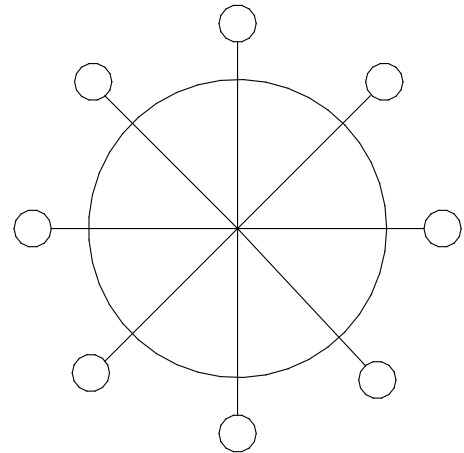


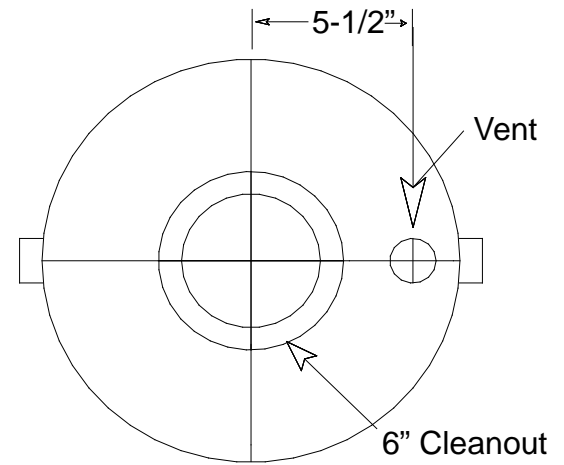
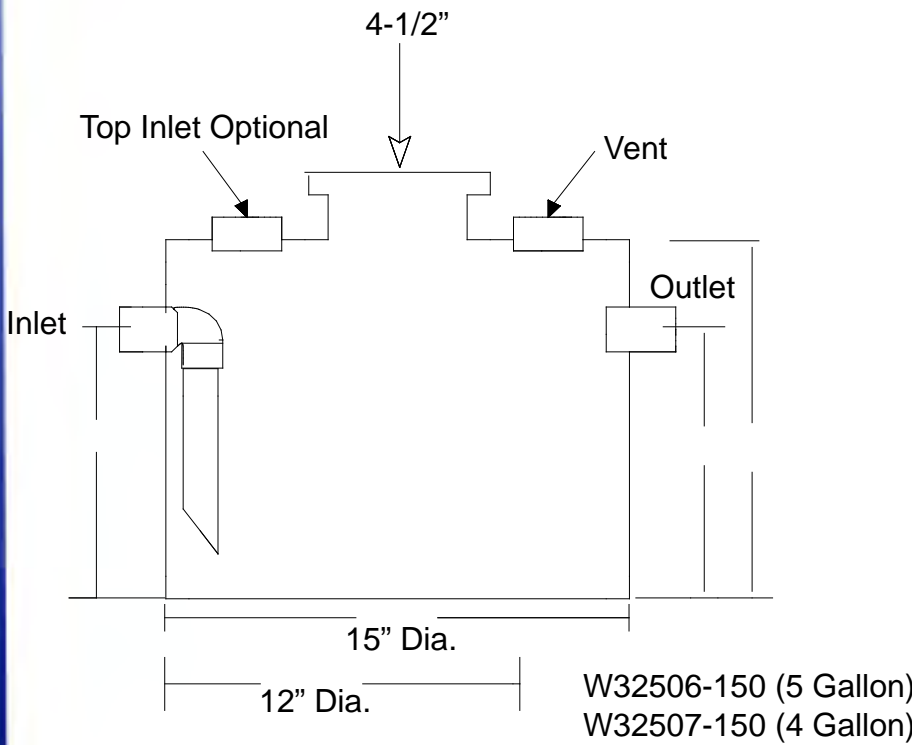
Cylindrical Tank Data Sheet (5 Gallon Holding Tank)

Part No.	_____
P.O. No.	_____
# of Tanks	_____
Tank Size	_____

Top view of tank



Please Specify Inlet and Outlet Locations



Connections		
Type	Size	
Inlet		Job Name
Outlet		Date
Vent	<input type="checkbox"/> Top <input type="checkbox"/> Side	